



e-ISSN: 2319-8753 | p-ISSN: 2347-6710

IJRSET

International Journal of Innovative Research in
SCIENCE | ENGINEERING | TECHNOLOGY

INTERNATIONAL JOURNAL OF INNOVATIVE RESEARCH

IN SCIENCE | ENGINEERING | TECHNOLOGY

Volume 10, Issue 12, December 2021

ISSN INTERNATIONAL
STANDARD
SERIAL
NUMBER
INDIA

Impact Factor: 7.569

9940 572 462

6381 907 438

ijirset@gmail.com

www.ijirset.com

A Review of Artificially Roughened Solar Air Heater

Ashok Kumar Panchtilak¹, Dr. Irshad Ahmad Khan²

P.G. Student, Department of Mechanical Engineering, Sagar Institute of Research & Technology, Bhopal (M.P), India¹

Associate Professor, Department of Mechanical Engineering, Sagar Institute of Research & Technology, Bhopal (M.P), India²

ABSTRACT: Solar air heater is the cheapest and extensively used solar energy collection device for drying of agricultural products, space heating, seasoning of timber and curing of industrial products. The use of an artificial roughness on a surface is an effective technique to enhance the rate of heat transfer to fluid flow in the duct of a solar air heater. Use of artificial roughness in solar air heater has been topic in research for the last thirty years. In the present article an attempt has been made to present holistic view of different kinds of roughness geometry used for creating artificial roughness in solar air heater for performance enhancement by experimental approaches. In this article thirty-eight experimental studies have been reported on solar air heater, roughened with different kinds of roughness geometry. However, no comprehensive comparative study has been carried out or found in the literature so far, in order to investigate the relative performance of different types of artificially roughened solar air heater.

KEYWORDS: Solar Air Heater, Heat transfer, Pressure Drop, CFD.

I. INTRODUCTION

The Energy is the primary force in the universe. Energy defines the Earth's biomes and sustains life. All life, from single-celled microbes to blue whales, exists in a continuous process of consuming, using, and storing energy. In general, energy is the ability of a system to cause exterior impacts, for instance a force across a distance. Input or output of work changes the energy content of a body. Solar air heater is one of the basic equipment through which solar energy is converted into thermal energy.

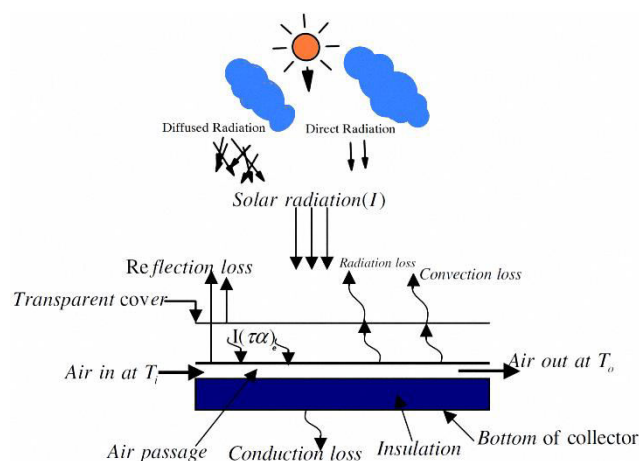


Fig. 1. Solar air heater

The main application of solar air heaters is space heating, seasoning of timber, curing of industrial products and these can also be effectively used for curing/drying of concrete/clay building components. A solar air heater is simple in design and requires little maintenance. However, the value of the heat transfer coefficient between the absorber plate and air is low and this results in a lower thermal efficiency. The thermal efficiency of solar air heater is low because of

low value of convective heat transfer coefficient between the flowing air and absorber plate (heat transferring surface) due to the formation of thin laminar viscous sub-layer on its absorber plate. The efficiency of solar air heater can be improved by modifying the boundary layer developed on the heated surface (Fig. 1). One of the well-known methods of modifying the boundary layer is to break the laminar viscous sub-layer formed on the heat transfer surface by creating artificial roughness in the form of repeated ribs, grooves or combination of ribs and grooves. The artificial roughened surface has wide application namely in cooling of gas turbine blades, nuclear reactors, solar air heating systems etc. The artificial roughness breaks the laminar viscous sub-layer and create local wall turbulence due to the flow separation and flow reattachment between the consecutive ribs, which reduces the thermal resistance, increases heat transfer and thereby efficiency. The application of artificial roughness enhances the heat transfer at the cost of increased value of friction factor and power penalty. The efforts of the researchers are always directed towards the proper selection of the shape and arrangement of the artificial roughness, which modifies the boundary layer, enhances the heat transfer coefficient with minimum pressure drop i.e. power penalty. Hence, it is necessary to review different types of artificial roughness used on the heat transferring surface, to study its effect on the heat transfer coefficient (Nusselt number) and friction factor.

The concept of artificial roughness was first applied by Joule [1] to enhance heat transfer coefficients for in-tube condensation of steam and since then many experimental investigations were carried out on the application of artificial roughness in the areas of cooling of gas turbine, electronic equipment, nuclear reactors, and compact heat exchangers etc. (Fig. 1).

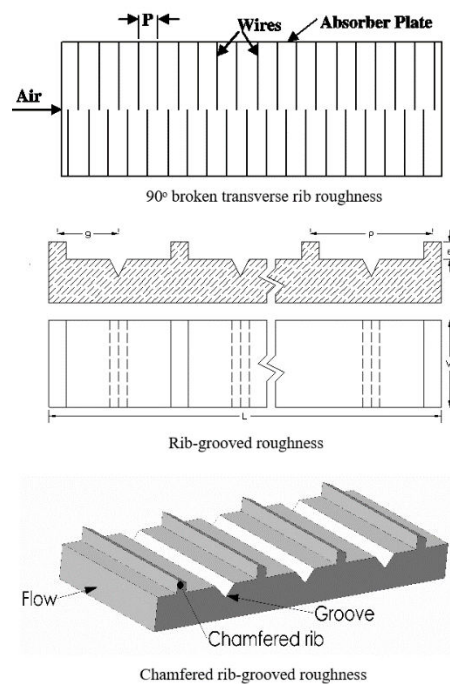


Fig. 2. Different geometries

Nunner [2] was the first who developed a flow model and likened this model to the temperature profile in smooth tube flow at increased Prandtl number. The proposed flow model predicts that roughness reduces the thermal resistance of the turbulence dominated wall region without significantly affecting the viscous region. The argument was quantified by using the Prandtl analogy and replacing Pr by $(f/f_s)Pr$. This model predicts that value of St/St_s decreases with increase in Prandtl number. The proposed flow model also predicts that St/St_s is independent of the roughness type. A friction correlation for flow over sand-grain roughness was developed by Nikuradse [3]. Based on law of the wall similarity, Nikuradse presented the pressure drop results in terms of roughness function R and roughness Reynolds number e^+ . Dipprey and Sabersky [4] developed a heat-momentum transfer analogy relation for flow in a sand-grain roughened tube and achieved excellent correlation of their data. The concept proposed by Dipprey and Sabersky was so common and it can be applied to any roughness for which law of the wall similarity holds. Prasad and Mullick [5] were the first who introduced the application of artificial roughness in the form of small diameter wire attached on the



underside of absorber plate to improve the thermal performance of solar air heater for drying purposes. After Prasad and Mullick's [5] work a number of experimental investigations of solar air heater involving roughness elements of different shapes, sizes and orientations with respect to flow direction have been carried out in order to obtain an optimum arrangement of roughness element geometry [6-9]. Effect of various parameters on the thermo-hydraulic performance of artificially roughened solar air heater through CFD approach can be obtained in Ref. [10-19]. The aim of present study is to review the effect of various turbulators geometries on the flow and heat transfer through the rectangular channel.”

The key dimensionless geometrical parameters that are used to characterize artificial roughness are:

Relative roughness pitch (P/e): Relative roughness pitch (P/e) is defined as the ratio of distance between two consecutive ribs and height of the rib.

Relative roughness height (e/D): Relative roughness height (e/D) is the ratio of rib height to equivalent diameter of the air passage.

Angle of attack (α): Angle of attack is inclination of rib with direction of air flow in duct.

Aspect ratio: It is ratio of duct width to duct height. This factor also plays a very crucial role in investigating thermo-hydraulic performance.

II. APPLICATION OF ARTIFICIAL ROUGHNESS IN SOLAR AIR HEATER

Ahn [20] investigated on five different types of roughness element in rectangular duct with $e/DH = 0.0476$, $P/e = 8$, and $W/H = 2.33$, to understand the comparative thermo-hydraulic performance due to these elements. They concluded that the triangular rib has the highest heat transfer capacity and Nusselt number is higher in the case of square and triangular ribs when compared to semicircular ribs. The square ribs have the highest friction factor. Chandra et al. [21] investigated the effect with varying number of ribs with transverse ribbed walls with the parameters $Re = 10,000$ to $80,000$; $P/e = 8$; $e/DH = 0.0625$; $L/Dh = 20$ for fully turbulent flow in square channel. They concluded that one ribbed wall has the heat transfer increase of 2.43–1.78 (40% improvement) for $Re = 12,000$ to $75,000$, with two opposite ribbed walls the increment was 2.64 to 1.92 (6% improvement), three ribbed walls has the increment of 2.81 to 2.01 (5% improvement) and with four ribbed walls, an increment of 2.99 to 2.12 (7% improvement). The maximum increase in the friction factor was found to be 9.50 with four sided ribbed walls and minimum with one ribbed wall of 3.14. They also compared the performance factor $\{(Str/Stss)/(fr/fss)\}$ of four cases and concluded that, it is highest at 1.78–1.17 for one wall ribbed surface. Tanda [22] investigated for heat transfer coefficient distribution in rectangular channel with transverse continuous, transverse broken and V-shaped broken ribs with the parameter's $W/H = 5$; $\alpha = 45$ or 60 . Liquid crystal thermography was applied to the study of heat transfer from the ribbed surface. He found the maximum performance of continuous transverse ribs, 45 V-shaped ribs and 60 V-shaped ribs at the optimum value of $P/e = 13.3$, transverse broken ribs with $P/e = 4$ and 8 give the higher heat transfer augmentation. Transverse broken ribs with $P/e = 4$ and 13.3 gives best thermal performance and transverse continuous ribs again with $P/e = 4$ and 8 gives lesser heat transfer increment. Andallib et al. [23] investigated the heat transfer and flow characteristics in the entrance section of a rectangular channel with one and two solid ribs at the bottom surface. They used hot wire anemometry (HWA) and resistance thermometry (RTD) for measuring the velocity and temperature and Liquid crystal thermography (LCT) to trace temperature profiles, heat transfer coefficient evaluation and Nusselt number calculation. The various parameters used are $Re = 2.09 \times 10^4$; $P/e = 10$. They compared the results of experimentation and theoretical energy balance and found similar performance under the given range of data selected. Won and Ligrani [24] compared the thermo-physical characteristics in channels with parallel and cross rib turbulators on two opposite surfaces with the parameters Reynolds number based on channel height = 480 to 18300; $W/H = 4$; $\alpha = 45$; $e/D = 0.078$; $P/e = 10$. They found that Nusselt number is almost same for crossed and parallel-ribs, local. Nusselt number for parallel-ribs are significantly higher than crossed-rib and pressure loss is higher in central part of the channel. Wang and Sunden [25] performed investigation of heat transfer and fluid flow in rectangular channel with broken V-shaped up ribs using crystal thermography (LCT) and particle image Velocimetry (PIV) techniques using the parameters e/Dh of 0.06; P/e was kept to 10; $\alpha = 60$; $W/H = 1/8$. They concluded that the performance in heat transfer is higher than the continuous ribs but with more friction loss. Liu et al. [26] investigated on heat transfer increment in a solar air heater with the absorber plate roughened by extended surfaces geometry. Prasad and Mullick [27] investigated on solar air heater with protruding wires on underside of the absorber plate. They found improvement of 9% (from 63% to 72%) in plate efficiency for Reynolds number of 40,000. The plate efficiency is 44.5% higher in cross corrugated sheet with protruding wire than plane galvanized iron sheet (Fig. 3).

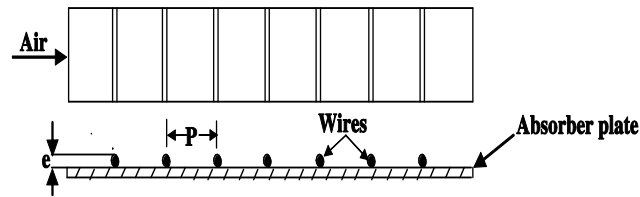


Fig. 3. Circular rib geometries

Gupta, Solanki and Saini [28] investigated the thermo-physical effect of transverse wire roughness on absorber plate on heat and fluid flow characteristics in transitionally rough flow region ($5 < e^+ < 70$) for rectangular solar air heater ducts with the parameters Reynolds number (Re) = 3000 to 18000 for a duct aspect ratio (W/H) = 6.8 to 11.5, relative roughness height (e/D) = 0.018 to 0.052 and relative roughness pitch (P/e) = 10. They concluded that the heat transfer increased up to 1.8 times than that of smooth solar air heaters at $\alpha = 60$ and friction factor by 2.7 at $\alpha = 70$ for the range of parameters investigated. Saini and Saini [29] investigated for fully turbulent flow with expanded metal mesh as artificial roughness element. They used rectangular duct with $W/H=11$; Relative longways length (L/e) = 25 to 71.87; Relative short way length (S/e) = 15; e/D = 0.012 to 0.039 as different parametric values for $Re = 1900$ to 13000. They concluded that the maximum values of Nusselt number and friction factor occurs at angle of attack of 61.9 and 72. They also developed the correlation for Nusselt number and friction factor. Gupta et al. [30] investigated on optimum design and operating conditions in artificially roughened solar air heater using the parameters $e/D = 0.023$ to 0.05; $Re = 4000$ to 18000; Solar intensity (I) = 400 to 1300 W/m^2 ; $\alpha = 60$. The optimum design conditions were determined and correlation was developed for Reynolds number using the parameters selected for investigations. Ekkad and Han [31] investigated on two pass square channel solar air heater with rib tabulators with parameters $Re = 6000$ to 60000; $e/DH = 0.125$; $P/e = 10$; $\alpha = 90$ parallel, 60 parallel, 60 V, and 60 broken V shaped ribs. They investigated on thermo-physical characteristics and secondary flow before the 1800 turn, in the turn region, after the turn, and the downstream in the second pass through the channel. They concluded that Nusselt number ratios in the second pass to be 2 to 3 times higher than that for the first pass and the 60 parallel, 60 V. Also 60 broken V ribs gives high heat transfer rate in the first pass and 60 broken V ribs giving slightly better heat transfer, while, 60 parallel ribs give higher heat transfer in the turn and second pass respectively. Verma and Prasad [32] investigated for optimal performance parameters in the form of Reynolds roughness numbers e^+ and thermal efficiency $\eta_{thermal}$ for the artificially roughened solar air heaters using the parameters $Re = 5000$ to 20 000; $m = 0.01$ to 0.06 Kg/sec ; $P/e = 10$ to 40; $e/D = 0.01$ to 0.03 and $e^+ = 8$ to 42. They found out the optimal value of $e^+_{opt} = 24$ at which $\eta_{thermal} = 71\%$, thus significant increase in heat transfer using artificial roughness in solar air heaters. Singh et al. [33] investigated the heat and fluid flow characteristics of solar air heater with discrete V down ribs as roughness elements with the parameters $Re = 3000$ to 15000; relative gap width (g/e) = 0.5 to 2; relative gap position (d/w) = 0.20 to 0.80; $P/e = 4$ to 8; $\alpha = 30$ to 75 and $e/Dh = 0.015$ to 0.043. They also developed the correlations for Nu and f for the given range of parameters selected. The maximum increase in Nusselt number and friction factor calculated is 3.04 and 3.11 at the optimum values of parameters $d/W = 0.65$, $g/e = 1.0$, $P/e = 8.0$, $\alpha = 60$ and $e/Dh = 0.043$. Momin et al. [34] investigated the effect of V-shaped ribs as roughness elements on the underside of the absorber plate of solar air heater with geometrical parameters as $Re=2500$ to 18000; $e/DH=0.02-0.034$; $\alpha=30$ to 90; $p/e = 10$; $W/H = 10.15$. They found the increase in heat transfer and friction of 2.30 and 2.83 than smooth duct at $\alpha= 60$, also in comparison to inclined ribs the enhancement was in heat transfer was 1.14. They also found out the correlation for Nusselt number and friction factor for the V shaped ribs. Karwa [35] investigated the thermo-physical behavior of roughened solar air heater with transverse, inclined, V continuous and V discrete ribs with $\alpha = 60$ for inclined and V patterns; $Re = 2800$ to 15000; $R(e^+) = 17$ to 90. He also developed heat transfer and friction factor correlation based on the law of wall similarity and heat momentum transfer analogy. He found the increase in heat transfer of 65% - 90%, 87% - 112%, 102% - 137%, 110% - 147%, 93% - 134% and 102% - 142% respectively whereas the increase in friction factor for the ribs were 2.68 - 2.94, 3.02 - 3.42, 3.40 - 3.92, 3.32 - 3.65, 2.35 - 2.47 respectively. Sahu and Bhagoria [36] investigated the heat transfer coefficient in the solar air heater using 90 broken integral transverse ribs on absorber plate with the parameter's $W/H = 8$; $Re = 3000$ to 12000; $P/e = 6.67, 13.33, 20$; $e/D = 0.0338$ and $I = 750-880 W/m^2$. They concluded that maximum heat transfer and efficiency 83.5% occurs at $P/e = 1.33$. They find considerable increment in heat transfer and with friction factor (Fig. 4).

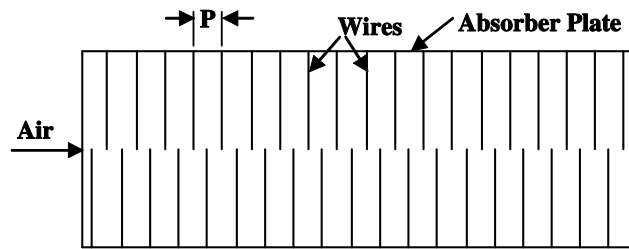


Fig. 4. 90° broken transverse rib roughness

Jaurker et al. [37] investigated the thermo-physical characteristics of rib grooved artificial roughness in rectangular solar air heater duct with the parameters $Re = 3000$ to $21,000$; $e/D = 0.0181$ – 0.0363 ; $P/e = 4.5$ – 10 ; relative groove position ratio (g/p) = 0.3 to 0.7 . They also developed the correlations for Nusselt number and friction factor. They concluded that rib-grooved duct with $P/e = 6.0$ and $g/p = 0.4$ the maximum value of the Nusselt number is 2.75 and with $P/e = 6.0$, $g/p = 0.4$ $e/D = 0.0363$, the maximum value of the friction factor is 3.61 . Mittal et al. [38] Investigated the effect of various types of roughness element on absorber plate of the solar air heater with the parameter's $W/H = 10$; $e/D = 0.02$ to 0.04 ; $P/e = 10$; $Re = 2000$ to 24000 to find out the effective efficiency using the correlations for heat transfer and friction factor developed by various investigators for the range of parameters they used. They concluded that the inclined ribs with low values e/D have high effective efficiency for $Re > 12000$, expanded metal mesh has better effective efficiency for $Re < 12000$ and effective efficiency of smooth solar air heater is higher than the solar air heaters with roughness for very high Reynolds number. Karmare and Tikekar [39] investigated the effect of solar air heater roughened with metal grit ribs with parameters $e/Dh = 0.035$ to 0.044 ; $P/e = 12.5$ – 36 ; relative length of grit (l/s) = 1.72 to 1 and $Re = 4000$ to 17000 . They also developed correlation for Nusselt number and friction factor within the range of parameters selected. They concluded that within the range of parameters selected the optimum values of parameters are $l/s = 1.72$, $e/Dh = 0.044$, $P/e = 17.5$ which gives optimum performance (Fig. 5).

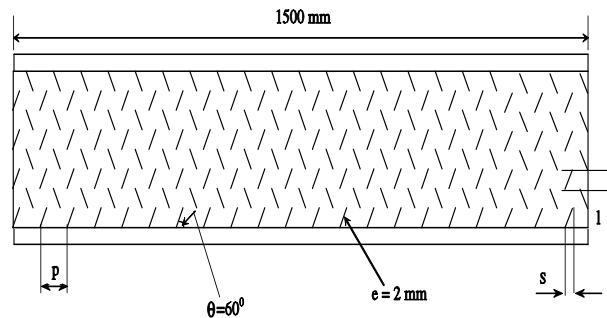


Fig. 5. Metal grit rib roughness

Webb et al. [40] covering a wide range of e/Dh ratio with P/e values of more than 10 was used in his experiments in flow through pipes where the ribs were aligned normal to the main stream direction. Firth and Mayer [41] investigated heat transfer and friction factor performance of four different types of artificially roughened surfaces with square transverse rib, helical rib, trapezoidal transverse ribs and three-dimensional surfaces in gas cooled reactor. The experiments conducted with roughness in one wall of absorber plate, two walls and four walls. The roughness element in one wall is favored by most of the investigators as discussed below in the range of $Re = 3000$ to 30000 . Different correlations for heat transfer and friction factor were developed based on the experiments done by different investigators. Bhargava and Rizzi [42] demonstrated that the efficiency of solar air heaters can be increased by increasing the channel depth along length. Adel A. Hegazy R. [43] optimized the channel height of different types of solar air heater. J. C. Han, L. R. Glicksman and W. M. Rohsenow [44] investigated the effects of rib shape, angle of attack and pitch to height ratio on friction factor and heat-transfer on symmetric and staggered ribs. They found that the ribs at 45° of attack angle have better performance than at 90° attack angle and sand grain roughness. J. C. Han and J. S. Park [45] investigated on the combined effects of the rib, angle-of-attack ($\alpha = 90, 60, 45$ and 30) and the channel aspect ratio ($W/H = 1, 2$ and 4) on the heat transfer coefficient in short rectangular channels ($L/D = 10$ and 15) with two opposite rib-roughened walls. They concluded that the highest heat transfer and the highest-pressure drop can be obtained at $\alpha = 60^\circ$ in the square channel; the highest heat



transfer and pressure drop occur at $\alpha = 90$ with $W/H = 4$ in the rectangular channel and the values of highest heat transfer and pressure drop differs marginally at $\alpha = 60$ for $W/H = 2$. The Heat transfer and friction correlations were also obtained for the surface. Shou-shingsieh et al. [46] investigated effects of aspect ratio (W/H) = 1, 2, Reynolds number (Nu) $63.5 < Re < 254$ and the initial boundary layer thickness on low speed forced convective heat transfer near two-dimensional transverse ribs. They also derived the correlation for average Nusselt number. Ying-Jong Hong et al. [47] investigated for turbulent flow on staggered ribs in a square duct with two opposite rib-roughened walls using the parameters $e/DH = 0.19$; $p/e = 5.31$ and $Re = 13000$ to 130000 . The temperature distribution and correlations between Nusselt number and Reynolds number was established. The heat transfer rate was calculated to be 2.02-4.60 times higher than fully developed turbulent flow in smooth duct for $Re = 13000$. Jenn-Jiang Hwang and Tong-Miin Liou [48] investigated the thermo-hydraulic performance for a low aspect ratio channel with staggered slit ribs on top and bottom walls with the parameters $\beta_1 = 24\%$, 37% , 46% ; $p/e = 10, 15, 20$. $W/H = 0.081$; $Re = 10000$ to 50000 . They concluded that the arrangement of ribs gives a higher heat transfer enhancement with lower pressure drop for the same solid rib height and spacing. Also, the friction factor decreases with an increase in rib open area ratio. They also developed the general friction and heat transfer correlations have been developed. Xiufang Gao and Bengt Sunden [49] investigated the heat transfer and pressure drop in a rectangular duct with staggered ribs of parameters aspect ratio (W/H) = 1 to 8; relative roughness height (e/DH) = 0.06; angle of attack (α) = 60; Reynolds number (Re) = 1000 to 6000. They observed that secondary flow causes span wise variation of heat transfer coefficient along the rib length and reattachment occurs between two ribs. They concluded that the V downstream ribs induce highest friction factor then V upstream and then parallel ribs with least friction factor. Also, V downstream has stronger secondary flow and gives higher heat transfer when compared to V upstream and parallel ribs and parallel ribs has better performance at higher Reynolds number than V upstream. Akira Murata, Sadanari Mochizuki [50] investigated on laminar and turbulent flow with transverse or angled rib turbulators of 600 or 900 in a square channel. They concluded that heat transfer is highest in front of the rib and laminar flow has lesser effect on flow field with ribs than turbulent flow as a result the velocity and temperature profiles have lesser differences than turbulent case. S. W. Ahn [51] investigated on five different types of roughness element in rectangular duct with $e/DH = 0.0476$, $P/e = 8$, and $W/H = 2.33$, to understand the comparative thermo-hydraulic performance due to these elements. They concluded that the triangular rib has the highest heat transfer capacity and Nusselt number is higher in the case of square and triangular ribs when compared to semicircular ribs. The square ribs have the highest friction factor. P.R. Chandra et al. [52] investigated the effect with varying number of ribs with transverse ribbed walls with the parameters $Re = 10,000$ to $80,000$; $P/e = 8$; $e/DH = 0.0625$; $L/Dh = 20$ for fully turbulent flow in square channel. They concluded that one ribbed wall has the heat transfer increase of 2.43–1.78(40% improvement) for $Re = 12,000$ to 75000 , with two opposite ribbed walls the increment was 2.64 to 1.92(6% improvement), three ribbed walls has the increment of 2.81 to 2.01(5% improvement) and with four ribbed walls, an increment of 2.99 to 2.12(7% improvement). The maximum increase in the friction factor was found to be 9.50 with four sided ribbed walls and minimum with one ribbed wall of 3.14. They also compared the performance factor $\{(Str/Stss)/(fr/fss)\}$ of four cases and concluded that it is highest at 1.78–1.17 for one wall ribbed surface. Giovanni Tanda [53] investigated for heat transfer coefficient distribution in rectangular channel with transverse continuous, transverse broken and V-shaped broken ribs with the parameter's $W/H = 5$; $\alpha = 45$ or 60 . Liquid crystal thermography was applied to the study of heat transfer from the ribbed surface. He found the maximum performance of continuous transverse ribs, 450 V-shaped ribs and 600 V-shaped ribs at the optimum value of $P/e = 13.3$, transverse broken ribs with $P/e = 4$ and 8 give the higher heat transfer augmentation. Transverse broken ribs with $P/e = 4$ and 13.3 gives best thermal performance and transverse continuous ribs again with $P/e = 4$ and 8 gives lesser heat transfer increment. Andallib Tariq et al. [54] investigated the heat transfer and flow characteristics in the entrance section of a rectangular channel with one and two solid ribs at the bottom surface. They used hot wire anemometry (HWA) and resistance thermometry (RTD) for measuring the velocity and temperature and Liquid crystal thermography (LCT) to trace temperature profiles, heat transfer coefficient evaluation and Nusselt number calculation. The various parameters used are $Re = 2.09 \times 10^4$; $P/e = 10$. They compared the results of experimentation and theoretical energy balance and found similar performance under the given range of data selected. S.Y. Won and P.M. Ligrani [55] compared the thermo-physical characteristics in channels with parallel and cross rib turbulators on two opposite surfaces with the parameters Reynolds number based on channel height (ReH) = 480 to 18300; $W/H = 4$; $\alpha = 45$; $e/DH = 0.078$; $P/e = 10$. They found that Nusselt number is almost same for crossed and parallel-ribs, local. Nusselt number for parallel-rib are significantly higher than crossed-rib and pressure loss is higher in central part of the channel. Lieke Wang and Bengt Sunden [56] performed investigation of heat transfer and fluid flow in rectangular channel with broken V-shaped up ribs using crystal thermography (LCT) and particle image Velocimetry (PIV) techniques using the parameters e/Dh of 0.06; P/e was kept to 10; $\alpha = 60$; $W/H = 1/8$. They concluded that the performance in heat transfer is higher than the



continuous ribs with more friction loss. Several other types of turbulators elements were used extensively to improve the heat transfer characteristics [57-60].

III. CONCLUSION

This article presents a detailed review of the experimental investigations carried out by various researchers in order to enhance the heat transfer by the use of artificial roughness of different shapes, sizes and orientations. The effects of various rib parameters on heat transfer and fluid flow processes are discussed in detail. Heat transfer and friction factor correlations reported in literature are also presented in tabular form. These correlations may be used to predict the thermal as well as hydraulic performance of solar air heaters having roughened ducts. In this article a comparative study is also carried out to select best roughness element geometry for maximum convective heat transfer with minimum pumping losses. The conclusion can be summarized as follows:

- i. The use of artificial roughness on a surface is an effective technique to enhance heat transfer to fluid flowing in the duct. Artificially roughened solar air heaters have enhanced rate of heat transfer as compared to the smooth solar air heaters under the same geometric/ operating conditions.
- ii. It has been found that roughness geometries being used in solar air heaters are of many types depending upon shapes, size, arrangement and orientations of roughness elements on the absorber plate.
- iii. There are several parameters that characterize the roughness elements, but for solar air heater the most preferred roughness geometry is repeated rib type, which is described by the dimensionless parameters viz. relative roughness height (e/D), relative roughness pitch, (P/e), angle of attack (α) and channel aspect Ratio (W/H) etc.
- iv. Transverse rib roughness enhances the heat transfer coefficient by flow separation and generation of vortices on the upstream and downstream of rib and reattachment of flow in the inter-rib spaces.
- v. It can be concluded that the use of artificial roughness results in higher friction and hence higher pumping power requirements. It is desirable that design of solar air heater should be made in such a way that it should transfer maximum heat energy to the flowing fluid with minimum consumption of blower energy.
- vi. It is found that among the entire roughness elements investigated, the multi-V-shaped rib roughness with gap has the highest Nusselt number as compared to other roughness geometries for the investigated range of parameters.
- vii. It is found that among the entire roughness elements investigated, the multi-V-shaped rib roughness with gap has the highest friction factor as compared to other roughness geometries for the investigated range of parameters.
- viii. It is found that among the entire roughness elements investigated, arc shaped rib geometry has the highest thermohydraulic performance parameter as compared to other roughness geometries for the investigated range of parameters.

REFERENCES

- [1] Joule JP. On the surface condensation of steam. Philosophical Transactions of the Royal Society of London 1861; 151: 133-160.
- [2] Nunner W. Heat transfer and pressure drop in rough pipes. VDI-Forsch 1956; 22: 445-B, English trans, AERE Lib./Trans 1958; 786.
- [3] Nikuradse J. Laws of flow in rough pipes. NACA Technical Memorandum 1950; 1292.
- [4] Dippery DF, Sabersky RH. Heat and momentum transfer in smooth and rough tubes at various Prandtl number. Int J Heat Mass Transfer 1963; 6: 329-53.
- [5] Prasad K, Mullick SC. Heat transfer characteristics of a solar air heater used for drying purposes. Appl Energy 1983; 13(2): 83-93.
- [6] Hans VS, Saini RP, Saini JS. Performance of artificially roughened solar air heaters- A review. Renewable and Sustainable Energy Reviews 2009; 13: 1854-1869.
- [7] Bhushan B, Singh R. A review on methodology of artificial roughness used in duct of solar air heaters. Energy 2010; 35: 202-212.
- [8] Yadav, A. S., and Thapak, M. K. "Artificially roughened solar air heater: A comparative study," International Journal of Green Energy vol. 13, no. 2, 2016, pp. 143-172.
- [9] Yadav Anil Singh, Thapak MK. Artificially roughened solar air heater: experimental investigations. Renewable and Sustainable Energy Reviews 2014; 36: 370-411.

- [10] Yadav AS, Bhagoria JL. A CFD based performance analysis of an artificially roughened solar air heater having equilateral triangular sectioned rib roughness on the absorber plate. *International Journal of Heat and Mass Transfer* 2014; 70: 1016–1039.
- [11] Yadav AS, Bhagoria JL. Heat transfer and fluid flow analysis of solar air heater: a review of CFD approach. *Renewable and Sustainable Energy Reviews* 2013; 23: 60-79.
- [12] Yadav AS, Bhagoria JL. A CFD based heat transfer and fluid flow analysis of a solar air heater provided with circular transverse wire rib roughness on the absorber plate. *Energy* 2013; 55: 1127-42.
- [13] Yadav AS, Bhagoria JL. Modeling and simulation of turbulent flows through a solar air heater having square sectioned transverse rib roughness on the absorber plate. *The Scientific World Journal* 2013. DOI: 10.1155/2013/827131.
- [14] Yadav AS, Bhagoria JL. A numerical investigation of turbulent flows through an artificially roughened solar air heater. *Numerical Heat Transfer A* 2014; 65: 679–698.
- [15] Yadav AS, Bhagoria JL. Numerical investigation of flow through an artificially roughened solar air heater. *International Journal of Ambient Energy* 2013. DOI: 10.1080/01430750.2013.823107 (Article in press).
- [16] Yadav AS, Bhagoria JL. Heat transfer and fluid flow analysis of an artificially roughened solar air heater: a CFD based investigation. *Frontiers in Energy* 2014; 8(2): 201-211.
- [17] Yadav AS, Bhagoria JL. A CFD analysis of a solar air heater having triangular rib roughness on the absorber plate. *International Journal of ChemTech Research* 2013; 5(2): 964-71.
- [18] Yadav AS, Bhagoria JL. A CFD based heat transfer and fluid flow analysis of a conventional solar air heater. *Journal of Engineering Science and Management Education* 2013; 6(2): 137-46.
- [19] Yadav AS, Bhagoria JL. A numerical investigation of square sectioned transverse rib roughened solar air heater. *International Journal of Thermal Sciences* 2014; 79: 111-131.
- [20] Ahn S. W. 2001. The effects of roughness types on friction factors and heat transfer in roughened rectangular duct. *Int. J. Heat and Mass transfer*. 28, 933-942.
- [21] Chandra P.R., Alexander C.R., Han J.C. 2003. Heat transfer and friction behaviors in rectangular channels with varying number of ribbed walls. *Int. J. Heat and Mass transfer*. 46, 481–495.
- [22] Tanda Giovanni. 2004. Heat transfer in rectangular channels with transverse and V-shaped broken ribs. *Int. J. Heat and Mass transfer*. 47, 229–243.
- [23] Tariq Andallib, Singh Kamlesh and Panigrahi P.K. 2002. Detailed measurement of heat transfer and flow characteristics in rectangular duct with rib turbulators mounted on the bottom surface. *Engineering Turbulence Modelling and Experiments*. 5, 445 - 454.
- [24] Won S.Y., Ligrani P.M. 2004. Comparisons of flow structure and local Nusselt numbers in channels with parallel- and crossed-rib turbulators. 47, 1573–1586.
- [25] Wang Lieke, Sunden Bengt. 2004. An experimental investigation of heat transfer and fluid flow in a rectangular duct with broken v-shaped ribs. *Experimental Heat Transfer*. 17, 243–259.
- [26] Liu Ye-Di, Diaz L. A., Suryanarayana N. V. 1984. Heat transfer enhancement in air heating fiat-plate solar collectors. *Trans. ASME, J. of Solar Energy Engg*. 106, 358-363.
- [27] Prasad K., Mullick S.C. 1983. Heat transfer characteristics of a solar air heater used for drying purposes. *Applied Energy*. 13, 83-93.
- [28] Gupta, D., Solanki, S.C., Saini, J.S., Heat and fluid flow in rectangular solar air heater ducts having transverse rib roughness on absorber plates. *Solar Energy*. 1993. 51, 31–37.
- [29] Saini R. P., Saini J.S. 1995. Heat transfer and friction factor correlations for artificially roughened ducts with expanded metal mesh as roughness element. *Int. J. Heat and Mass transfer*. 40, 973-986.
- [30] Gupta Dhananjay, Solanki S.C., Saini J.S. 1997. Thermohydraulic performance of solar air heaters with roughened absorber plates. 61, 33-42.
- [31] Ekkad Srinath V., Han Je-chin. 1997. Detailed heat transfer distributions in two-pass square channels with rib turbulators. *Int. J. Heat and Mass transfer*. 40, 2525-2537.
- [32] Verma S.K., Prasad B.N. 2000. Investigation for the optimal thermo hydraulic performance of artificially roughened solar air heaters. *Renewable Energy*. 20, 19-36.
- [33] Singh Sukhmeet, Chander Subhash, Saini J.S. 2011. Heat transfer and friction factor correlations of solar air heater ducts artificially roughened with discrete V-down ribs. *Energy*. 36, 5053 – 5064.
- [34] Momin Abdul-Malik Ebrahim, Saini J.S., Solanki S.C. 2002. Heat transfer and friction in solar air heater duct with V-shaped rib roughness on absorber plate. *Int. J. Heat and Mass transfer*. 45, 3383–3396.
- [35] R. Karwa. 2003. Experimental studies of augmented heat transfer and friction in asymmetrically heated rectangular ducts with ribs on the heated wall in transverse, inclined, V-continuous and V-discrete pattern. *Int. J. Heat and Mass transfer*. 30, 241-250.



- [36] Sahu M.M., Bhagoria J.L. 2005. Augmentation of heat transfer coefficient by using 908 broken transverse ribs on absorber plate. *Renewable Energy*.30, 2057–2073.
- [37] Jaurker A.R., Saini J.S., Gandhi B.K. 2006. Heat transfer and friction characteristics of rectangular solar air heater duct using rib-grooved artificial roughness. *Solar Energy*. 80,895–907.
- [38] Mittal M.K., Varun, Saini R.P., Singal S.K. 2007. Effective efficiency of solar air heaters having different types of roughness elements on the absorber plate. *Energy*. 32,739–745
- [39] Karmare S.V., Tikekar A.N. 2007. Heat transfer and friction factor correlation for artificially roughened duct with metal grit ribs. *Int. J. Heat and Mass transfer*.50, 4342–4351.
- [40] Webb R.L., Eckort E.R.G., Goldstein K.J. 1971. Heat transfer and friction in tubes with repeated rib roughness. *Int J Heat Mass Tran*. 14,601-17.
- [41] Firth, R.J., Meyer, L., 1983. A comparison of the heat transfer and friction factor performance of four different types of artificially roughened surface. *International Journal of Heat and Mass Transfer* .26 (2), 175–183
- [42] Bhargava A.K. and Rizzi G. 1990. A solar air heater with variable flow passage width. *Energy Convers. Mgmt*.30, 329-332.
- [43] Hegazy Adel A. 1996. Optimization of flow channel depth for conventional flat- plate solar air heaters. *Renewable Energy*.7,15-21.
- [44] Han J.C., Glicksman L.R., Rohsenow W.M. 1978 An investigation of heat transfer and friction for rib roughened surfaces. *Int. J. Heat Mass Transfer*.21, 1143-1156.
- [45] Han J.C., Park J.S. 1988. Developing heat transfer in rectangular channels with rib turbulators. *Int. J. Heat and Mass transfer*.31, 183-195.)
- [46] Hsieh Shou-shing, Shih Huei-Jan, Hong Ying-Jong. 1990. Laminar forced convection from surface-mounted ribs. *Int. J. Heat and Mass transfer*.33,1987-99.
- [47] Hong Ying-Jong, Hsieh ShouShing. 1991. An experimental investigation of heat transfer characteristics for turbulent flow over staggered ribs in a square duct. *Experimental thermal and fluid science*. 4,714-722
- [48] Hwang Jenn-Jiang, Liou Tong-Miin. 1998. Heat transfer and friction in a low-aspect-ratio rectangular channel with staggered slit-ribbed walls. *International journal of rotating machinery*. 4,283-291.
- [49] Gao Xiufang and Sunden Bengt. 2001. Heat transfer and pressure drop in rib roughened rectangular duct. *Experimental thermal fluid sciences*. 24,25-34.
- [50] Murata Akira, Mochizuki Sadanari. 2001. Comparison between laminar and turbulent heat transfer in a stationary square duct with transverse or angled rib turbulators. *Int. J. Heat and Mass transfer*. 44,1127-1141.
- [51] Ahn S. W. 2001. The effects of roughness types on friction factors and heat transfer in roughened rectangular duct. *Int. J. Heat and Mass transfer*. 28, 933-942.
- [52] Chandra P.R., Alexander C.R., Han J.C. 2003. Heat transfer and friction behaviors in rectangular channels with varying number of ribbed walls. *Int. J. Heat and Mass transfer*. 46, 481–495.
- [53] Tanda Giovanni. 2004. Heat transfer in rectangular channels with transverse and V-shaped broken ribs. *Int. J. Heat and Mass transfer*. 47, 229–243.
- [54] Tariq Andallib, Singh Kamlesh and Panigrahi P.K. 2002. Detailed measurement of heat transfer and flow characteristics in rectangular duct with rib turbulators mounted on the bottom surface. *Engineering Turbulence Modelling and Experiments*. 5, 445 - 454.
- [55] Won S.Y., Ligrani P.M. 2004. Comparisons of flow structure and local Nusselt numbers in channels with parallel- and crossed-rib turbulators. 47, 1573–1586.
- [56] Wang Lieke, Sunden Bengt. 2004. An experimental investigation of heat transfer and fluid flow in a rectangular duct with broken v-shaped ribs. *Experimental Heat Transfer*. 17,243–259.
- [57] Yadav, A. S. "Augmentation of heat transfer in double pipe heat exchanger using full & half-length twisted tape inserts," *CSVТУ Research Journal* vol. 1, no. 1, 2008, pp. 67-73.
- [58] Yadav, A. S. "Experimental investigation of heat transfer performance of double pipe U-bend heat exchanger using full length twisted tape," *International Journal of Applied Engineering Research* vol. 3, no. 3, 2008, pp. 399-407.
- [59] Yadav, A. S. "Effect of half-length twisted-tape turbulators on heat transfer and pressure drop characteristics inside a double pipe u-bend heat exchanger," *Jordan Journal of Mechanical and Industrial Engineering* vol. 3, no. 1, 2009, pp. 17-22.
- [60] Yadav, A. S., and Bhagoria, J. L. "An Economic Analysis of a Solar System," *Corona Journal of Science and Technology* vol. 2, no. 1, 2013, pp. 3-7.



**Impact Factor:
7.569**



INTERNATIONAL JOURNAL OF INNOVATIVE RESEARCH

IN SCIENCE | ENGINEERING | TECHNOLOGY

 9940 572 462  6381 907 438  ijirset@gmail.com



www.ijirset.com

Scan to save the contact details